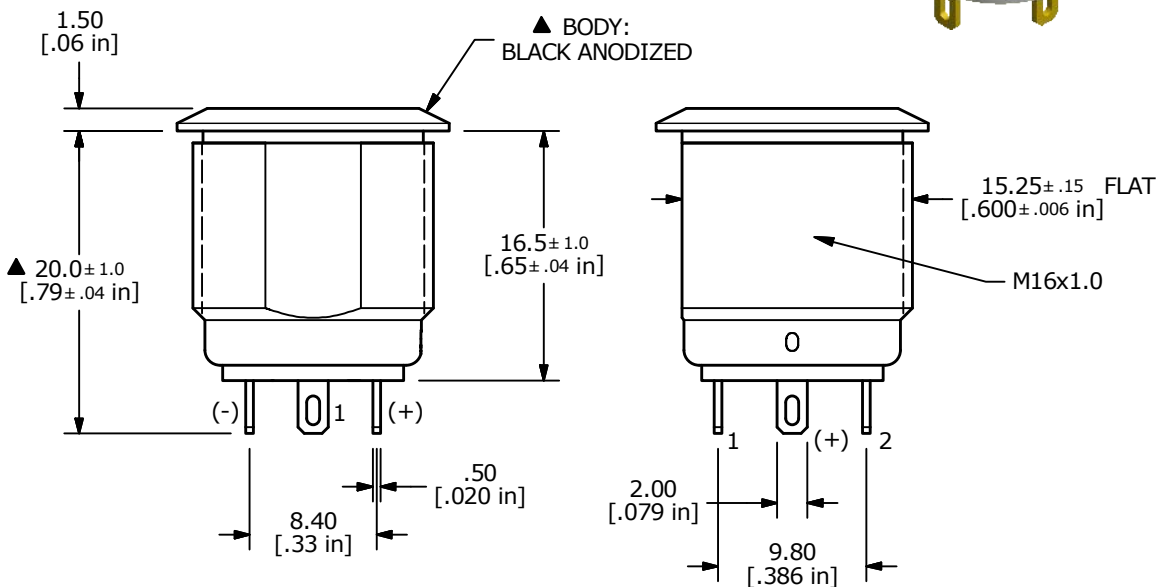
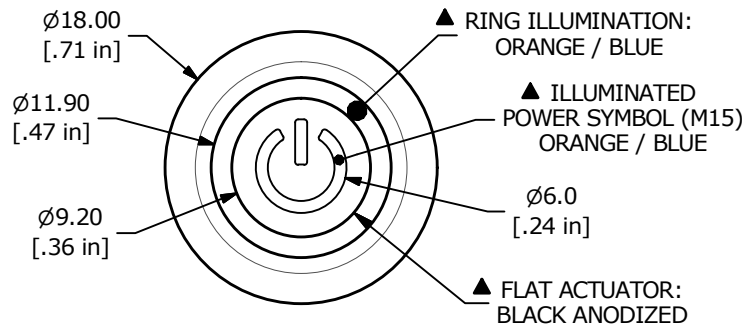
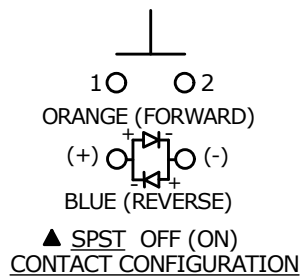


**RECOMMENDED PANEL CUTOUT**  
 MAX. PANEL THICKNESS  
 10.0 [.31 in]

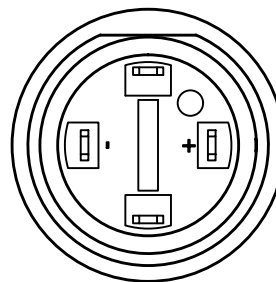


SWITCH FUNCTION	
POS. 1	POS. 2
OFF	(ON)
OPEN	(1-2)

( ) = MOMENTARY



- NOTE:
- ALL DIMENSIONS IN MM [INCH]
  - GENERAL TOLERANCE: X.X = ±0.4  
X.XX = ±0.25
  - TERMINAL NUMBERS FOR REF ONLY
  - CONTACT MATERIAL: SILVER PLATED COPPER
  - RATING: 2A 48VDC
  - ELECTRIC LIFE: 200,000 MAKE-AND-BREAK CYCLES AT FULL LOAD.
  - INSULATION RESISTANCE: 1,000 MΩ MIN.
  - DIELECTRIC STRENGTH: 2,000 VAC MIN. FOR 1 MINUTE
  - CONTACT RESISTANCE: 50mΩ MAX. @ 1A 12VDC
  - OPERATING TEMP.: -20°C to 55°C
  - TRAVEL: 1.8mm
  - ▲ DENOTES CRITICAL PARAMETER
  - ILLUMINATION VOLTAGE: ORANGE - 1.8V 20mA (FORWARD)  
BLUE - 2.8V 20mA (REVERSE)
  - HARDWARE SUPPLIED: O-RING AND HEXNUT (NOT SHOWN)



A	23872	RELEASE	5/7/19	MW
REV	PCR NO	DESCRIPTION	DATE	BY

TITLE PV6F24011-3L1-M15				
SCALE	DATE	DR	DWG	REV
2:1	5/7/2019	MW	52-PV6F240113L1M15	A

THE INFORMATION CONTAINED IN THIS DOCUMENT IS PROPRIETARY TO E-SWITCH AND IS NOT TO BE COPIED OR TRANSFERRED